

5V/12V Synchronous Buck PWM DC/DC Controller

General Description

The RT9214 is a high efficiency synchronous buck PWM controllers that generate logic-supply voltages in PC based systems. These high performance , single output devices include internal soft-start, frequency compensation networks and integrates all of the control, output adjustment, monitoring and protection functions into a single package.

The device operating at fixed 300kHz frequency provides an optimum compromise between efficiency, external component size, and cost.

Adjustable over-current protection (OCP) monitors the voltage drop across the $R_{DS(ON)}$ of the lower MOSFET for synchronous buck PWM DC/DC controller. The over current function cycles the soft-start in 4-times hiccup mode to provide fault protection, and in an always hiccup mode for under-voltage protection.

Ordering Information

- RT9214 □ □
- Package Type
 - S : SOP-8
 - SP : SOP-8 (Exposed Pad-Option 1)
 - Lead Plating System
 - P : Pb Free
 - G : Green (Halogen Free and Pb Free)
 - Z : ECO (Ecological Element with Halogen Free and Pb free)

Note :

Richtek products are :

- } RoHS compliant and compatible with the current requirements of IPC/JEDEC J-STD-020.
- } Suitable for use in SnPb or Pb-free soldering processes.

Features

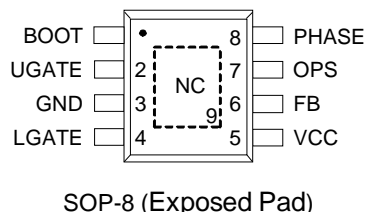
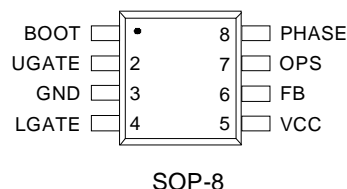
- | Operating with 5V or 12V Supply Voltage
- | Drives All Low Cost N-MOSFETs
- | Voltage Mode PWM Control
- | 300kHz Fixed Frequency Oscillator
- | Fast Transient Response :
 - } High-Speed GM Amplifier
 - } Full 0 to 100% Duty Ratio
- | Internal Soft-Start
- | Adaptive Non-Overlapping Gate Driver
- | Over Current Fault Monitor on MOSFET, No Current Sense Resistor Required
- | RoHS Compliant and 100% Lead (Pb)-Free

Applications

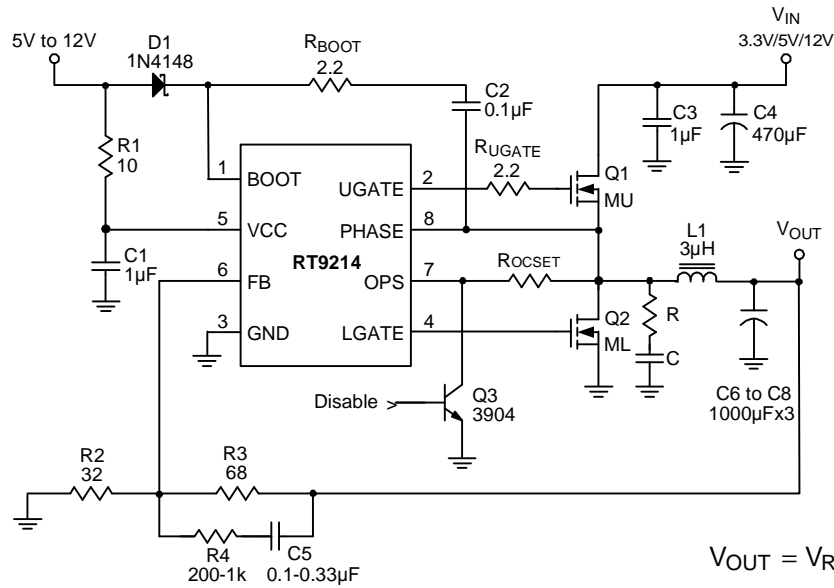
- | Graphic Card
- | Motherboard, Desktop Servers
- | IA Equipments
- | Telecomm Equipments
- | High Power DC/DC Regulators

Pin Configurations

(TOP VIEW)



Typical Application Circuit



$$V_{OUT} = V_{REF} \times \left(1 + \frac{R_3}{R_2}\right)$$

V_{REF} : Internal reference voltage
($0.8V \pm 2\%$)

Functional Pin Description

BOOT (Pin 1)

Bootstrap supply pin for the upper gate driver. Connect the bootstrap capacitor between BOOT pin and the PHASE pin. The bootstrap capacitor provides the charge to turn on the upper MOSFET.

UGATE (Pin 2)

Upper gate driver output. Connect to the gate of high side power N-MOSFET. This pin is monitored by the adaptive shoot through protection circuitry to determine when the upper MOSFET has turned off.

GND (Pin 3)

Both signal and power ground for the IC. All voltage levels are measured with respect to this pin. Ties the pin directly to the low side MOSFET source and ground plane with the lowest impedance.

LGATE (Pin 4)

Lower gate drive output. Connect to the gate of low side power N-MOSFET. This pin is monitored by the adaptive shoot through protection circuitry to determine when the lower MOSFET has turned off.

VCC (Pin 5)

Connect this pin to a well-decoupled 5V or 12V bias supply. It is also the positive supply for the lower gate driver, LGATE.

FB (Pin 6)

Switcher feedback voltage. This pin is the inverting input of the error amplifier. FB senses the switcher output through an external resistor divider network.

OPS (OCSET, POR and Shut-Down) (Pin 7)

This pin provides multi-function of the over current setting, UGATE turn-on POR sensing, and shut down features. Connecting a resistor (ROCSET) between OPS and PHASE pins sets the over current trip point.

Pulling the pin to ground resets the device and all external MOSFETs are turned off allowing the output voltage power rails to float.

This pin is also used to detect V_{IN} in power on stage and issues an internal POR signal.

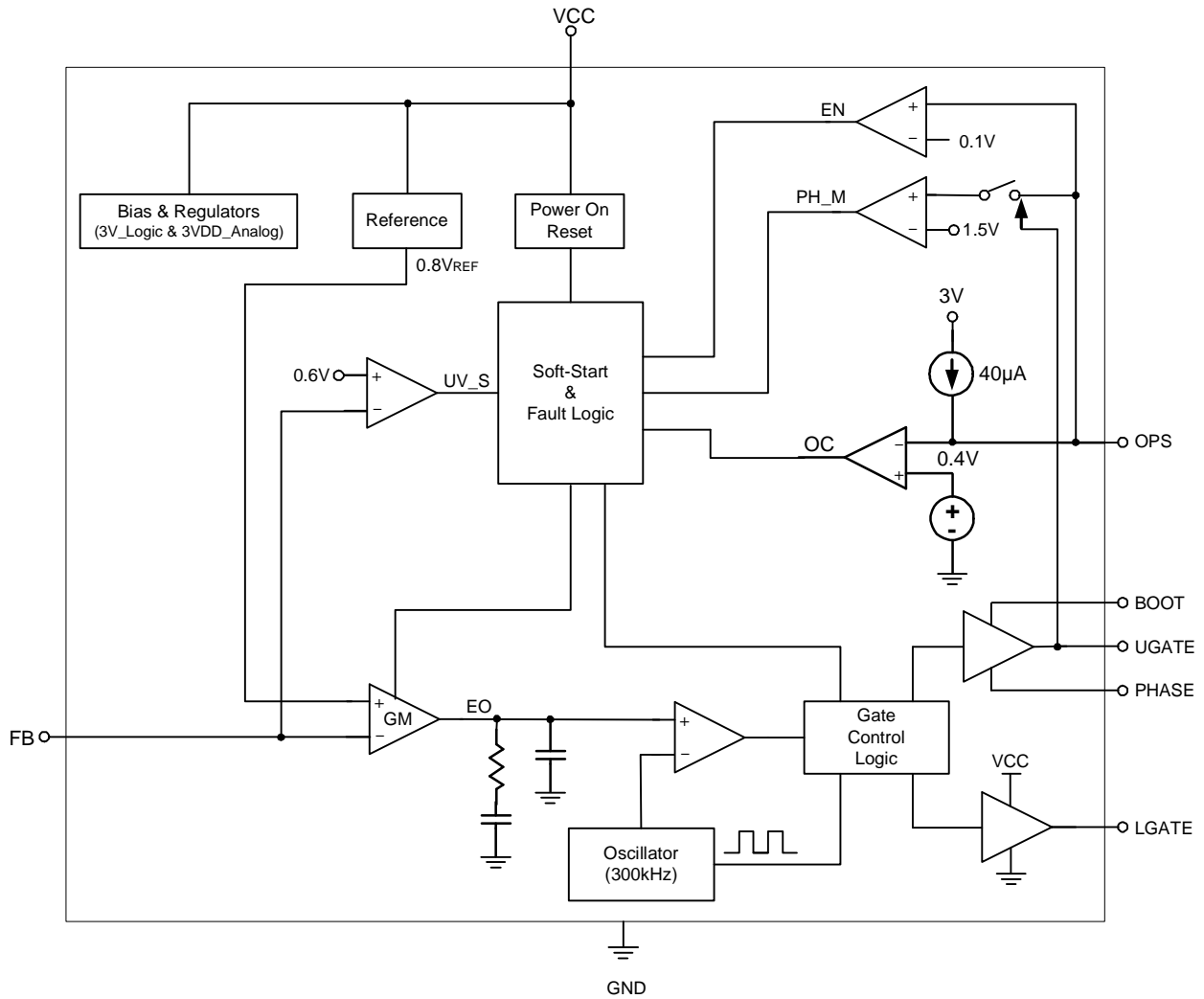
PHASE (Pin 8)

Connect this pin to the source of the upper MOSFET and the drain of the lower MOSFET.

NC [Exposed Pad (9)]

No Internal Connection.

Function Block Diagram



Absolute Maximum Ratings (Note 1)

Supply Voltage, V_{CC} -----	16V
BOOT, $V_{BOOT} - V_{PHASE}$ -----	16V
PHASE to GND	
DC -----	-5V to 15V
< 200ns -----	-10V to 30V
BOOT to PHASE -----	15V
BOOT to GND	
DC -----	-0.3V to $V_{CC}+15V$
< 200ns -----	-0.3V to 42V
UGATE -----	$V_{PHASE} - 0.3V$ to $V_{BOOT} + 0.3V$
LGATE -----	GND - 0.3V to $V_{VCC} + 0.3V$
Input, Output or I/O Voltage -----	GND-0.3V to 7V
Power Dissipation, P_D @ $T_A = 25^\circ C$ (Note 2)	
SOP-8 -----	0.625W
SOP-8 (Exposed Pad) -----	1.33W
Package Thermal Resistance	
SOP-8, θ_{JA} -----	160°C/W
SOP-8 (Exposed Pad), θ_{JA} -----	75°C/W
Junction Temperature -----	150°C
Lead Temperature (Soldering, 10 sec.) -----	260°C
Storage Temperature Range -----	-65°C to 150°C
ESD Susceptibility (Note 3)	
HBM (Human Body Mode) -----	2kV
MM (Machine Mode) -----	200V

Recommended Operating Conditions (Note 4)

Supply Voltage, V_{CC} -----	$5V \pm 5\%$, $12V \pm 10\%$
Junction Temperature Range -----	-40°C to 125°C
Ambient Temperature Range -----	-40°C to 85°C

Electrical Characteristics

($V_{CC} = 5V/12V$, $T_A = 25^\circ C$, unless otherwise specified)

Parameter	Symbol	Test Conditions	Min	Typ	Max	Unit
V_{CC} Supply Current						
Nominal Supply Current	I_{CC}	UGATE and LGATE Open	--	6	15	mA
Power-On Reset						
POR Threshold	V_{CCRTH}	V_{CC} Rising	--	4.1	4.5	V
Hysteresis	V_{CCHYS}		0.35	0.5	--	V
Switcher Reference						
Reference Voltage	V_{REF}	$V_{CC} = 12V$	0.784	0.8	0.816	V

To be continued

Parameter	Symbol	Test Conditions	Min	Typ	Max	Unit
Oscillator						
Free Running Frequency	f_{OSC}	$V_{CC} = 12V$	250	300	350	kHz
Ramp Amplitude	ΔV_{OSC}	$V_{CC} = 12V$	--	1.5	--	V_{P-P}
Error Amplifier (GM)						
E/A Transconductance	g_m		--	0.2	--	ms
Open Loop DC Gain	A_O		--	90	--	dB
PWM Controller Gate Drivers ($V_{CC} = 12V$)						
Upper Gate Source	I_{UGATE}	$V_{BOOT} - V_{PHASE} = 12V,$ $V_{UGATE} - V_{PHASE} = 6V$	0.6	1	--	A
Upper Gate Sink	R_{UGATE}	$V_{BOOT} - V_{PHASE} = 12V,$ $V_{UGATE} - V_{PHASE} = 1V$	--	4	8	Ω
Lower Gate Source	I_{LGATE}	$V_{CC} = 12V, V_{LGATE} = 6V$	0.6	1	--	A
Lower Gate Sink	R_{LGATE}	$V_{CC} = 12V, V_{LGATE} = 1V$	--	3	5	Ω
Dead Time	T_{DT}		--	--	100	ns
Protection						
FB Under-Voltage Trip	Δ_{FBUVT}	FB Falling	70	75	80	%
OC Current Source	I_{OC}	$V_{PHASE} = 0V$	35	40	45	μA
Soft-Start Interval	T_{SS}		--	3.5	--	ms

Note 1. Stresses listed as the above "Absolute Maximum Ratings" may cause permanent damage to the device. These are for stress ratings. Functional operation of the device at these or any other conditions beyond those indicated in the operational sections of the specifications is not implied. Exposure to absolute maximum rating conditions for extended periods may remain possibility to affect device reliability.

Note 2. θ_{JA} is measured in the natural convection at $T_A = 25^\circ C$ on a low effective thermal conductivity test board of JEDEC 51-3 thermal measurement standard.

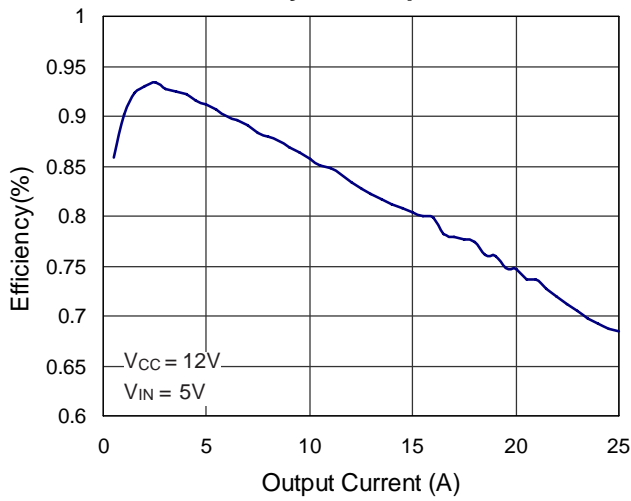
Note 3. Devices are ESD sensitive. Handling precaution recommended.

Note 4. The device is not guaranteed to function outside its operating conditions.

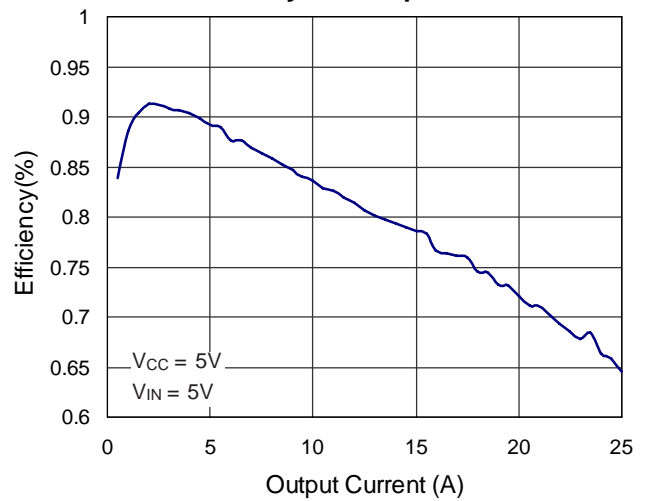
Typical Operating Characteristics

($V_{OUT} = 2.5V$, unless otherwise specified)

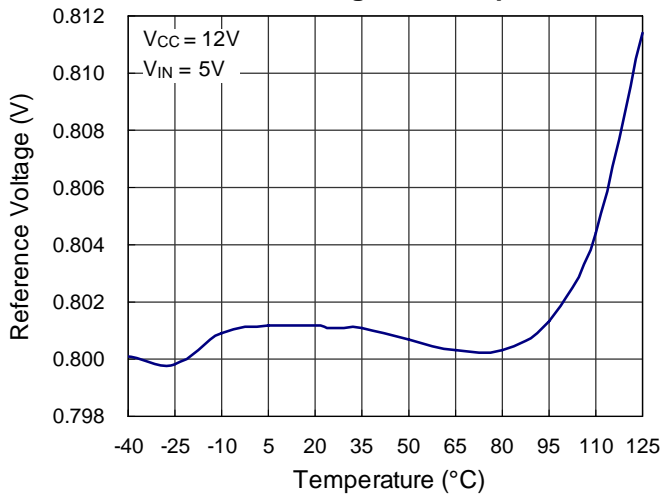
Efficiency vs. Output Current



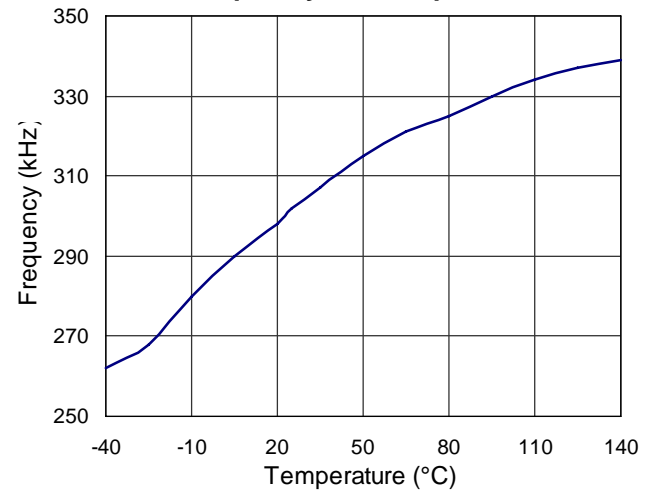
Efficiency vs. Output Current



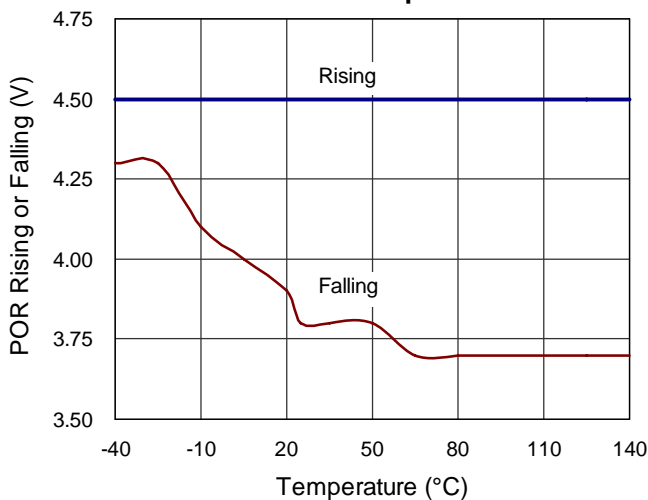
Reference Voltage vs. Temperature



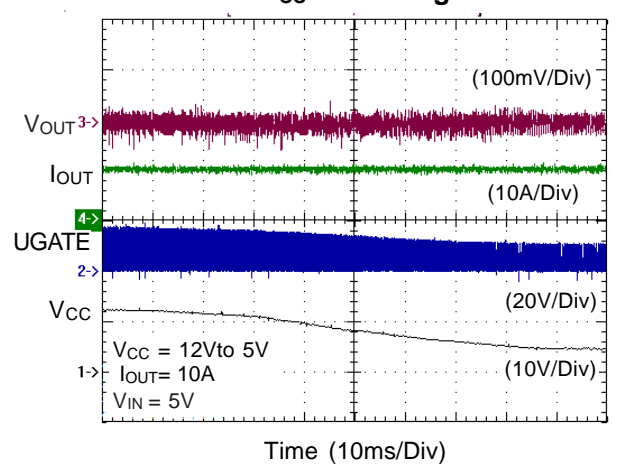
Frequency vs. Temperature



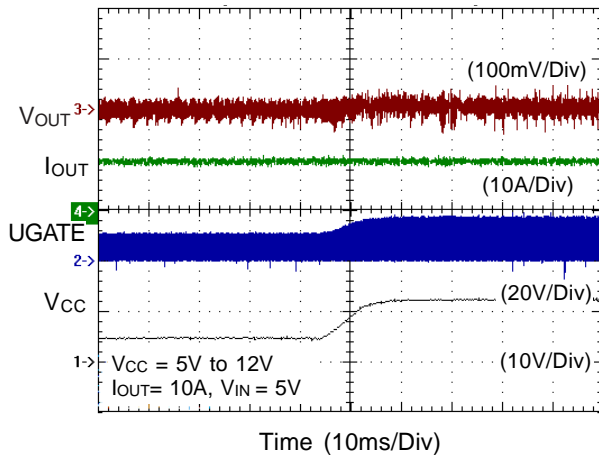
POR vs. Temperature



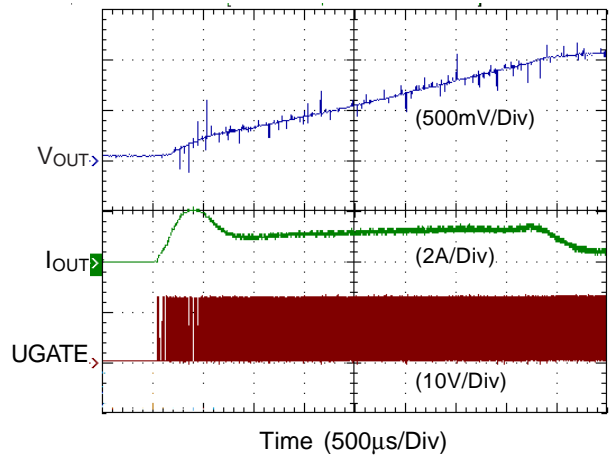
V_{CC} Switching



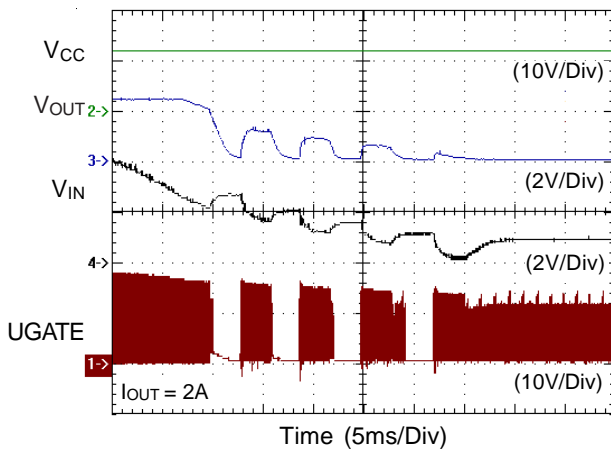
V_{CC} Switching



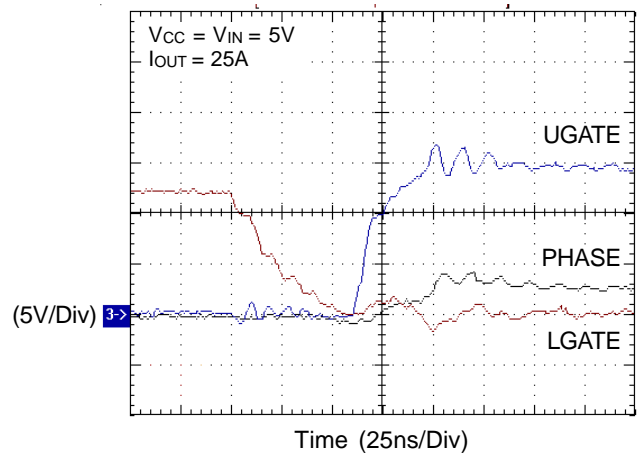
Power On



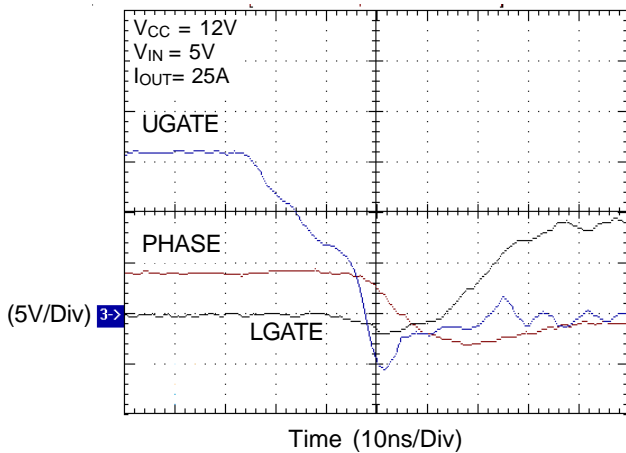
Power Off



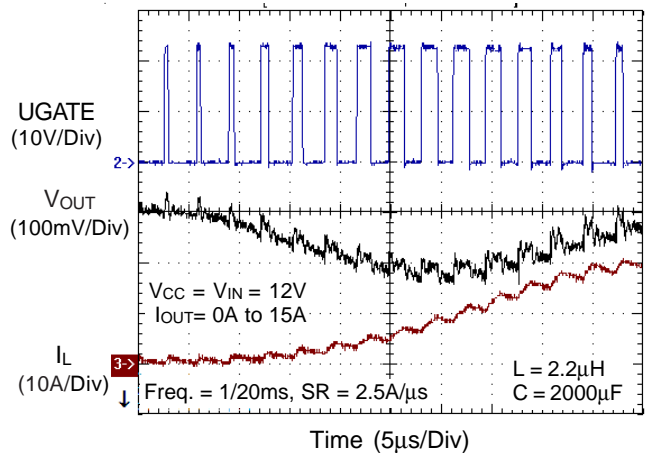
Dead Time (Rising)



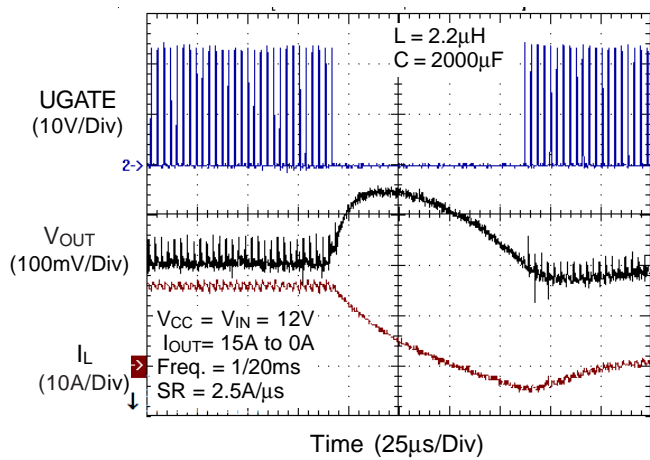
Dead Time (Falling)



Transient Response (Rising)



Transient Response (Falling)



Application Information

Inductor Selection

The selection of output inductor is based on the considerations of efficiency, output power and operating frequency. Low inductance value has smaller size, but results in low efficiency, large ripple current and high output ripple voltage. Generally, an inductor that limits the ripple current (ΔI_L) between 20% and 50% of output current is appropriate. Figure 1 shows the typical topology of synchronous step-down converter and its related waveforms.

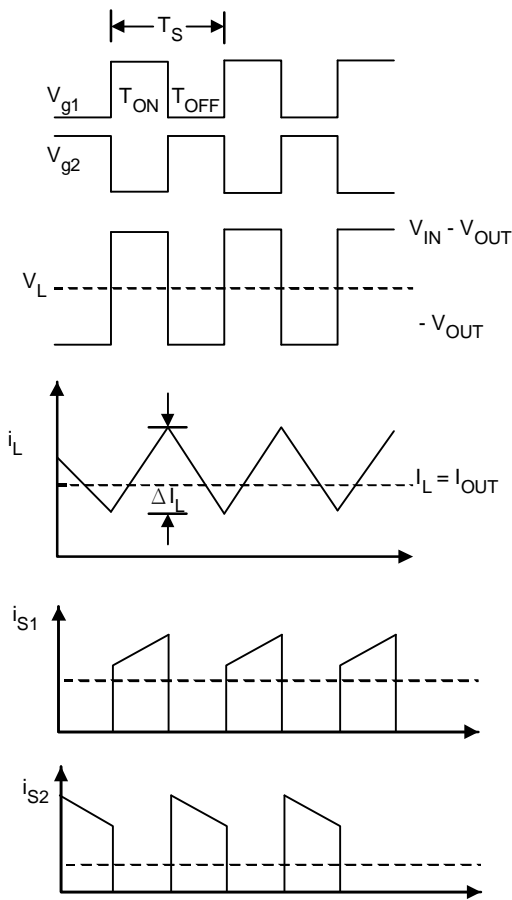
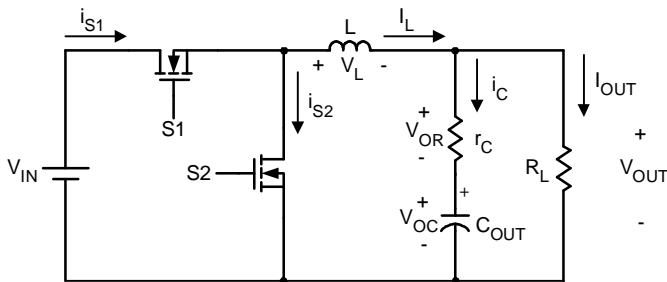


Figure 1. The Waveforms of Synchronous Step Down Converter

According to Figure 1 the ripple current of inductor can be calculated as follows :

$$V_{IN} - V_{OUT} = L \frac{\Delta I_L}{\Delta t}; \quad \Delta t = \frac{D}{f_s}; \quad D = \frac{V_{OUT}}{V_{IN}}$$

$$L = (V_{IN} - V_{OUT}) \times \frac{V_{OUT}}{V_{IN} \times f_s \times \Delta I_L} \tag{1}$$

Where :

V_{IN} = Maximum input voltage

V_{OUT} = Output Voltage

Δt = S1 turn on time

ΔI_L = Inductor current ripple

f_s = Switching frequency

D = Duty Cycle

r_C = Equivalent series resistor of output capacitor

Output Capacitor

The selection of output capacitor depends on the output ripple voltage requirement. Practically, the output ripple voltage is a function of both capacitance value and the equivalent series resistance (ESR) r_C . Figure 2 shows the related waveforms of output capacitor.

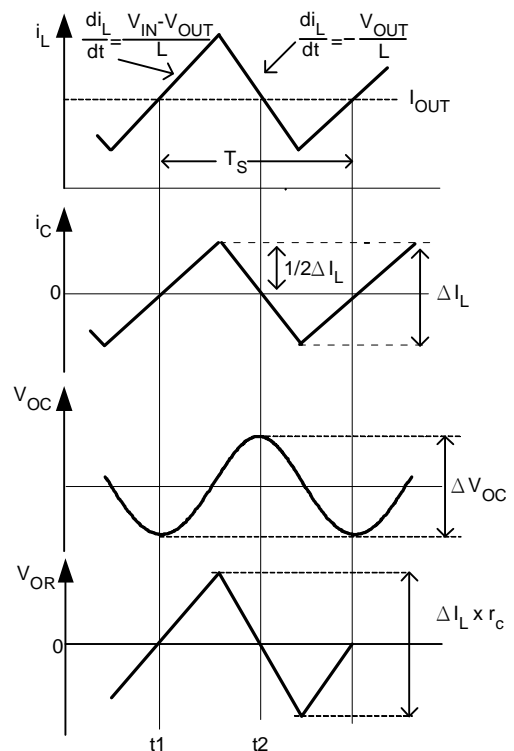


Figure 2. The Related Waveforms of Output Capacitor

The AC impedance of output capacitor at operating frequency is quite smaller than the load impedance, so the ripple current (ΔI_L) of the inductor current flows mainly through output capacitor. The output ripple voltage is described as :

$$\Delta V_{OUT} = \Delta V_{OR} + \Delta V_{OC} \quad (2)$$

$$\Delta V_{OUT} = \Delta I_L \times r_C + \frac{1}{C_O} \int_{t_1}^{t_2} i_C dt \quad (3)$$

$$\Delta V_{OUT} = \Delta I_L \times \Delta I_L \times r_C + \frac{1}{8} \frac{V_{OUT}}{C_{OL}} (1-D) T_S^2 \quad (4)$$

where ΔV_{OR} is caused by ESR and ΔV_{OC} by capacitance. For electrolytic capacitor application, typically 90 to 95% of the output voltage ripple is contributed by the ESR of output capacitor. So Equation (4) could be simplified as :

$$\Delta V_{OUT} = \Delta I_L \times r_C \quad (5)$$

Users could connect capacitors in parallel to get calculated ESR.

Input Capacitor

The selection of input capacitor is mainly based on its maximum ripple current capability. The buck converter draws pulse wise current from the input capacitor during the on time of S1 as shown in Figure 1. The RMS value of ripple current flowing through the input capacitor is described as :

$$I_{rms} = I_{OUT} \sqrt{D(1-D)} \quad (A) \quad (6)$$

The input capacitor must be cable of handling this ripple current. Sometime, for higher efficiency the low ESR capacitor is necessarily.

PWM Loop Stability

RT9214 is a voltage mode buck converter using the high gain error amplifier with transconductance (OTA, Operational Transconductance Amplifier).

The transconductance :

$$GM = \frac{dI_{OUT}}{dV_m}$$

The mid-frequency gain :

$$dV_{OUT} = dI_{OUT} Z_{OUT} = GM dV_{IN} Z_{OUT}$$

$$G = \frac{dV_{OUT}}{dV_{IN}} = GM Z_{OUT}$$

Z_{OUT} is the shut impedance at the output node to ground (see Figure 3 and Figure 4),

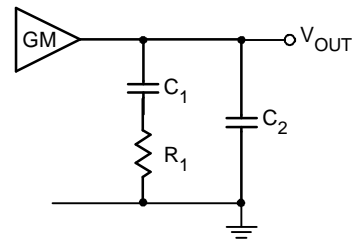


Figure 3. A Type 2 Error-Amplifier with Shut Network to Ground

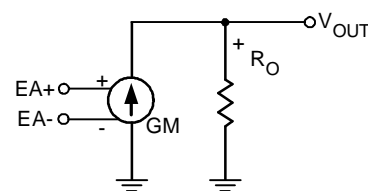


Figure 4. Equivalent Circuit

Pole and Zero :

$$F_P = \frac{1}{2p \times R_1 C_2}; \quad F_Z = \frac{1}{2p \times R_1 C_1}$$

We can see the open loop gain and the Figure 3 whole loop gain in Figure 5.

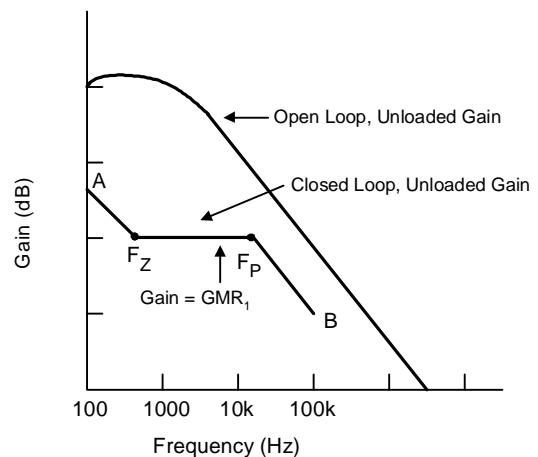


Figure 5. Gain with The Figure 2 Circuit

RT9214 internal compensation loop :

$$GM = 0.2ms, R_1=75k\Omega, C_1 = 2.5nF, C_2 = 10pF$$

OPS (Over Current Setting, VIN_POR and Shutdown)

1.OCP

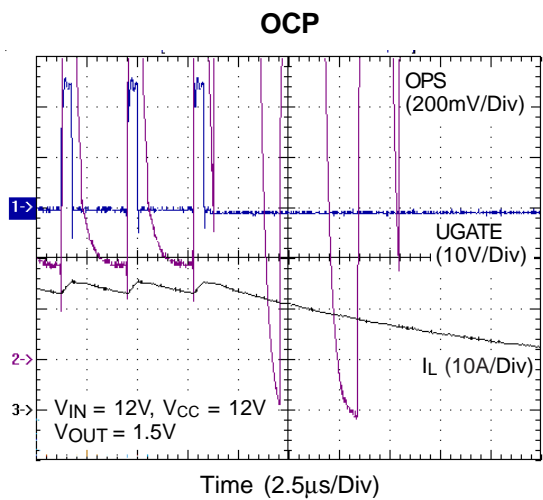
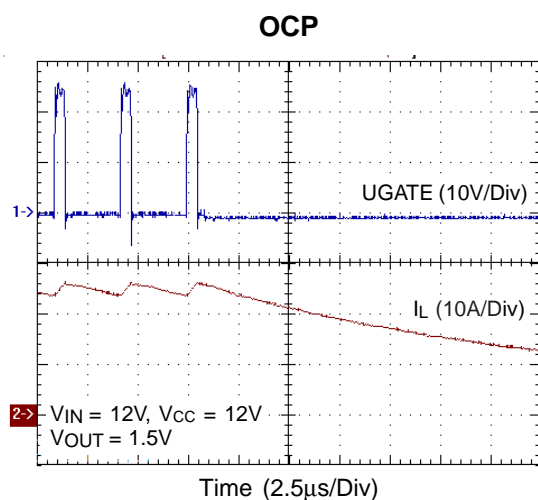
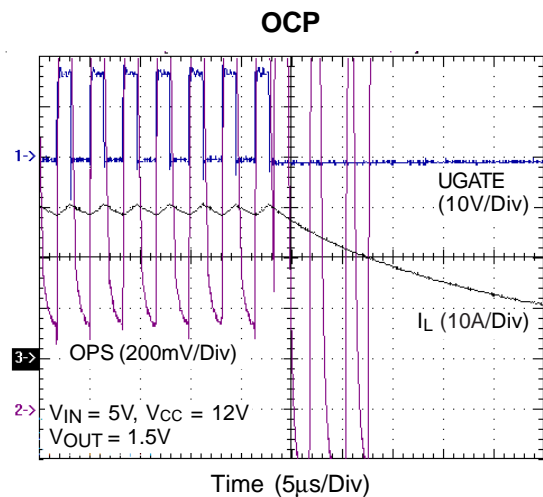
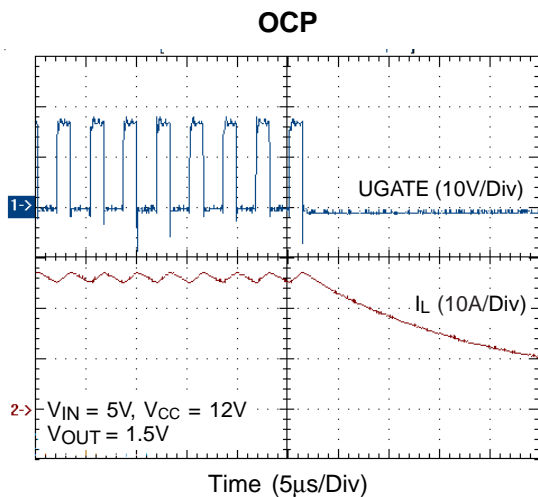
Sense the low side MOSFET's $R_{DS(ON)}$ to set over current trip point.

Connecting a resistor (R_{OCSET}) from this pin to the source of the upper MOSFET and the drain of the lower MOSFET sets the over current trip point. R_{OCSET} , an internal $40\mu A$ current source, and the lower MOSFET on resistance, $R_{DS(ON)}$, set the converter over current trip point (I_{OCSET}) according to the following equation :

$$I_{OCSET} = \frac{40\mu A \times R_{OCSET} - 0.4V}{R_{DS(ON)} \text{ of the lower MOSFET}}$$

OPS pin function is similar to RC charging or discharging circuit, so the over current trip point is very sensitive to parasitic capacitance (ex. shut down MOSFET) and the duty ratio.

Below Figures say those effect. And test conditions are $R_{ocset} = 15k\Omega$ (over current trip point = 20.6A), Low side MOSFET is IR3707.



2. VIN_POR

UGATE will continuously generate a 10kHz clock with 1% duty cycle before V_{IN} is ready. V_{IN} is recognized ready by detecting V_{OPS} crossing 1.5V four times (rising & falling). R_{OCSET} must be kept lower than 37.5k Ω for large R_{OCSET} will keep V_{OPS} always higher than 1.5V. Figure 6 shows the detail actions of OCP and POR. It is highly recommend-ed that R_{OCSET} be lower than 30k Ω .

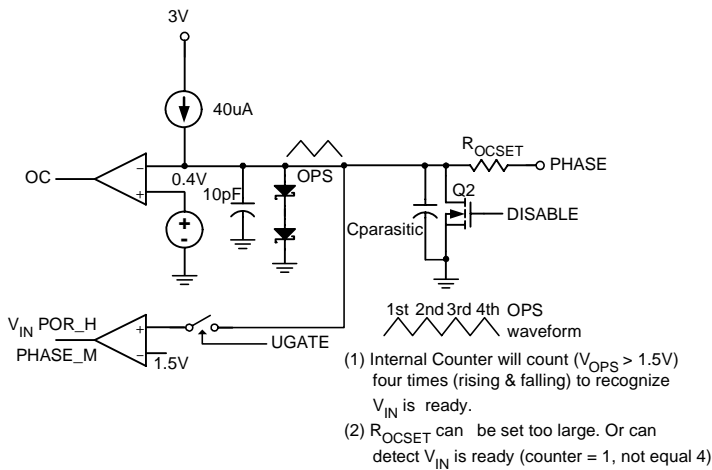


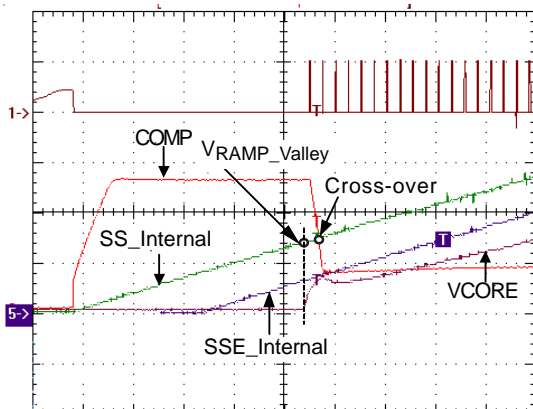
Figure 6. OCP and VIN_POR Actions

3. Shutdown

Pulling low the OPS pin by a small single transistor can shutdown the RT9214 PWM controller as shown in typical application circuit.

Soft Start

A built-in soft-start is used to prevent surge current from power supply input during power on. The soft-start voltage is controlled by an internal digital counter. It clamps the ramping of reference voltage at the input of error amplifier and the pulse-width of the output driver slowly. The typical soft-start duration is 3ms.



1) Mode 1 ($SS < V_{ramp_valley}$)

Initially the COMP stays in the positive saturation. When $SS < V_{RAMP_Valley}$, there is no non-inverting input available to produce duty width. So there is no PWM signal and V_{OUT} is zero.

2) Mode 2 ($V_{RAMP_Valley} < SS < \text{Cross-over}$)

When $SS > V_{RAMP_Valley}$, SS takes over the non-inverting input and produce the PWM signal and the increasing duty width according to its magnitude above the ramp signal. The output follows the ramp signal, SS. However while V_{OUT} increases, the difference between V_{OUT} and SSE ($SS - V_{GS}$) is reduced and COMP leaves the saturation and declines. The takeover of SS lasts until it meets the COMP. During this interval, since the feedback path is broken, the converter is operated in the open loop.

3) Mode3 ($\text{Cross-over} < SS < V_{GS} + V_{REF}$)

When the Comp takes over the non-inverting input for PWM Amplifier and when $SSE (SS - V_{GS}) < V_{REF}$, the output of the converter follows the ramp input, SSE ($SS - V_{GS}$). Before the crossover, the output follows SS signal. And when Comp takes over SS, the output is expected to follow SSE ($SS - V_{GS}$). Therefore the deviation of V_{GS} is represented as the falling of V_{OUT} for a short while. The COMP is observed to keep its decline when it passes the cross-over, which shortens the duty width and hence the falling of V_{OUT} happens.

Since there is a feedback loop for the error amplifier, the output's response to the ramp input, SSE ($SS - V_{GS}$) is lower than that in Mode 2.

4) Mode 4 ($SS > V_{GS} + V_{REF}$)

When $SS > V_{GS} + V_{REF}$, the output of the converter follows the desired V_{REF} signal and the soft start is completed now.

Under Voltage Protection

The voltage at FB pin is monitored and protected against UV (under voltage). The UV threshold is the FB or FBL under 80%. UV detection has 15µs triggered delay. When OC is triggered, a hiccup restart sequence will be initialized, as shown in Figure 7 Only 4 times of trigger are allowed to latch off. Hiccup is disabled during soft-start interval, but UV_FB has some difference from OC, it will always trigger V_{IN} power sensing after 4 times hiccup, as shown in Figure 8.

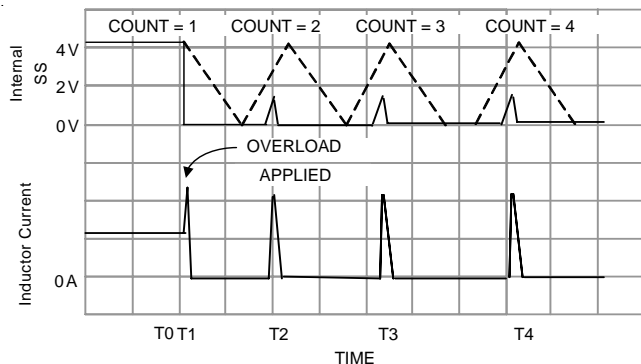


Figure 7. UV and OC Trigger Hiccup Mode

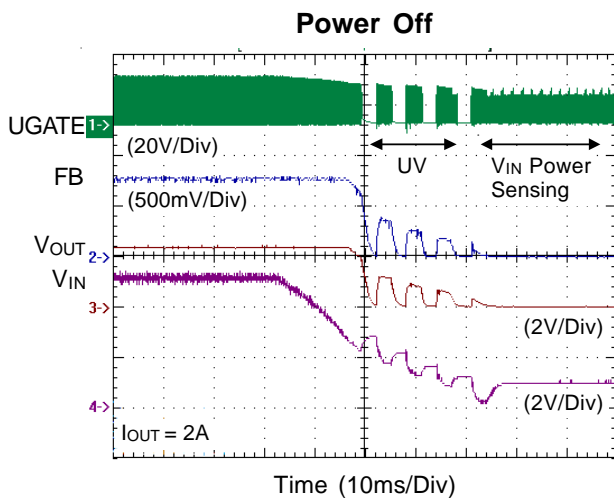


Figure 8, UV_FB Trigger V_{IN} Power Sensing

PWM Layout Considerations

MOSFETs switch very fast and efficiently. The speed with which the current transitions from one device to another causes voltage spikes across the interconnecting impedances and parasitic circuit elements. The voltage spikes can degrade efficiency and radiate noise, that results in over-voltage stress on devices. Careful component

placement layout and printed circuit design can minimize the voltage spikes induced in the converter. Consider, as an example, the turn-off transition of the upper MOSFET prior to turn-off, the upper MOSFET was carrying the full load current. During turn-off, current stops flowing in the upper MOSFET and is picked up by the low side MOSFET or schottky diode. Any inductance in the switched current path generates a large voltage spike during the switching interval. Careful component selections, layout of the critical components, and use shorter and wider PCB traces help in minimizing the magnitude of voltage spikes.

There are two sets of critical components in a DC/DC converter using the RT9214. The switching power components are most critical because they switch large amounts of energy, and as such, they tend to generate equally large amounts of noise. The critical small signal components are those connected to sensitive nodes or those supplying critical bypass current.

The power components and the PWM controller should be placed firstly. Place the input capacitors, especially the high-frequency ceramic decoupling capacitors, close to the power switches. Place the output inductor and output capacitors between the MOSFETs and the load. Also locate the PWM controller near by MOSFETs.

A multi-layer printed circuit board is recommended.

Figure 9 shows the connections of the critical components in the converter. Note that the capacitors C_{IN} and C_{OUT} each of them represents numerous physical capacitors. Use a dedicated grounding plane and use vias to ground all critical components to this layer. Apply another solid layer as a power plane and cut this plane into smaller islands of common voltage levels. The power plane should support the input power and output power nodes. Use copper filled polygons on the top and bottom circuit layers for the PHASE node, but it is not necessary to oversize this particular island. Since the PHASE node is subjected to very high dV/dt voltages, the stray capacitance formed between these island and the surrounding circuitry will tend to couple switching noise. Use the remaining printed circuit layers for small signal routing. The PCB traces between the PWM controller and the gate of MOSFET and also the traces connecting source of MOSFETs should be sized to carry 2A peak currents.

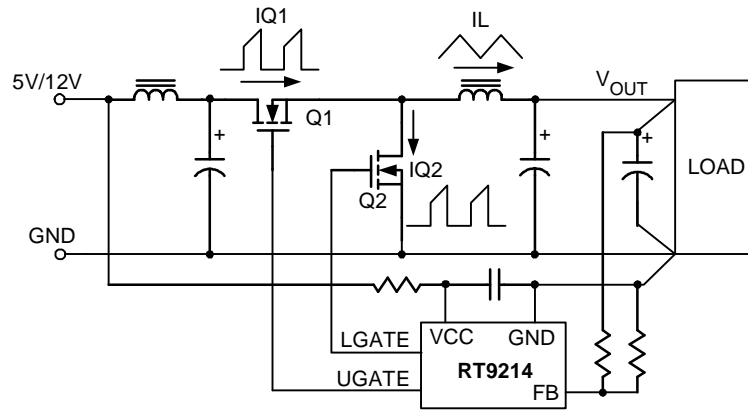
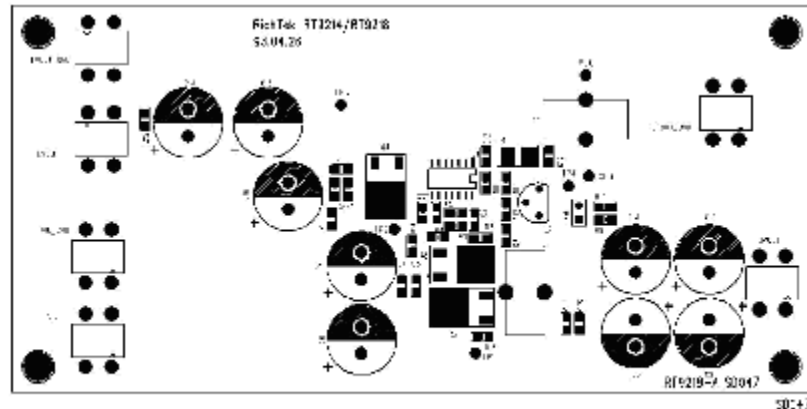
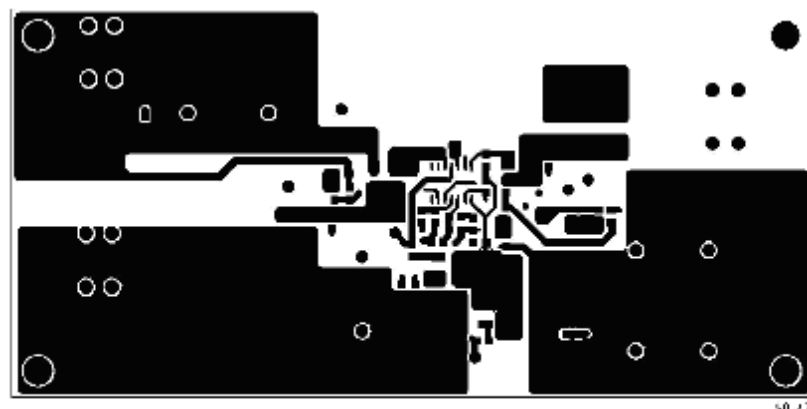


Figure 9. The Connections of The Critical Components In The Converter

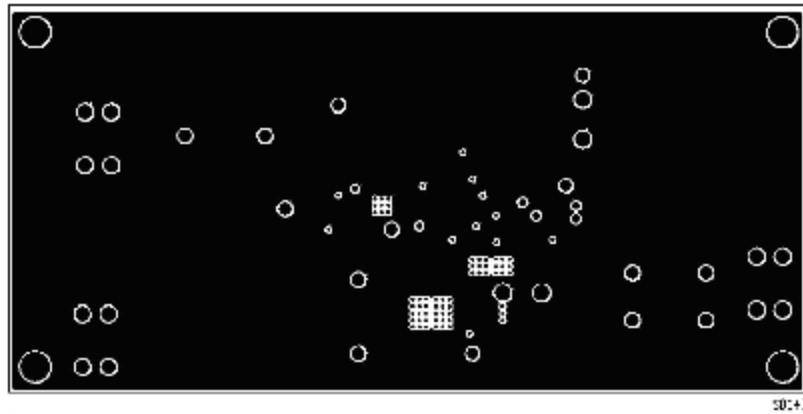
Below PCB gerber files are our test board for your reference :



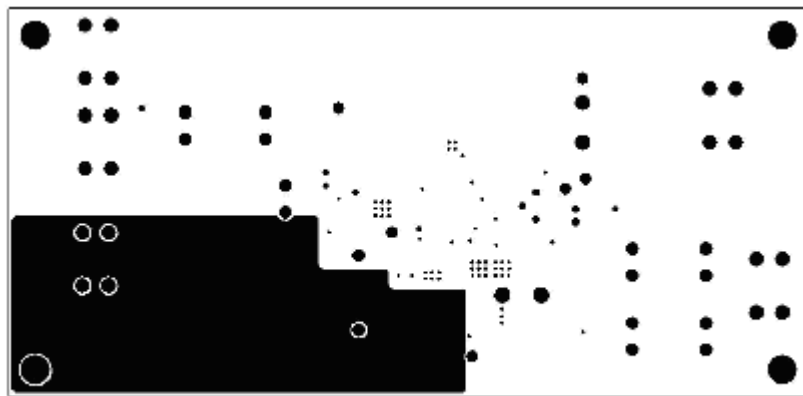
TOP SILKSCREEN



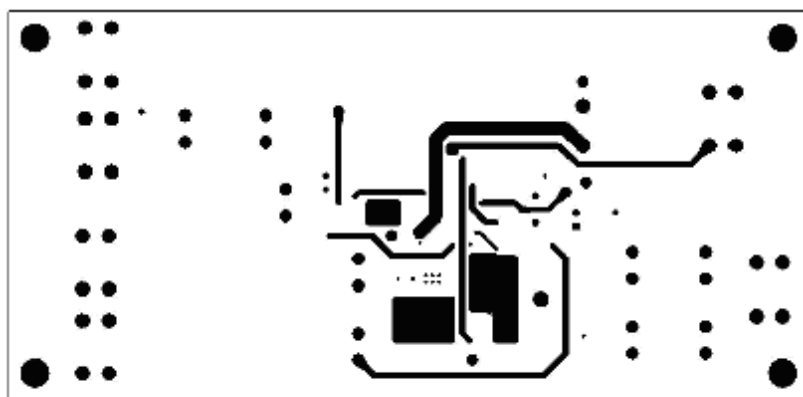
COMPONENT SIDE



L2 GND



L3 POWER

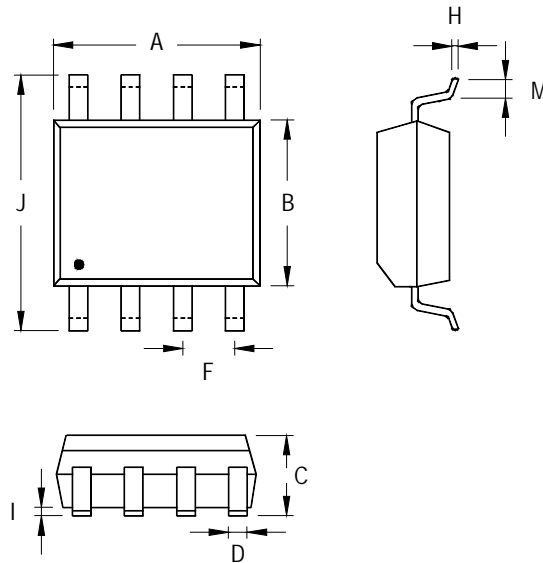


L4 BGT

According to our test experience, you must still notice two items to avoid noise coupling :

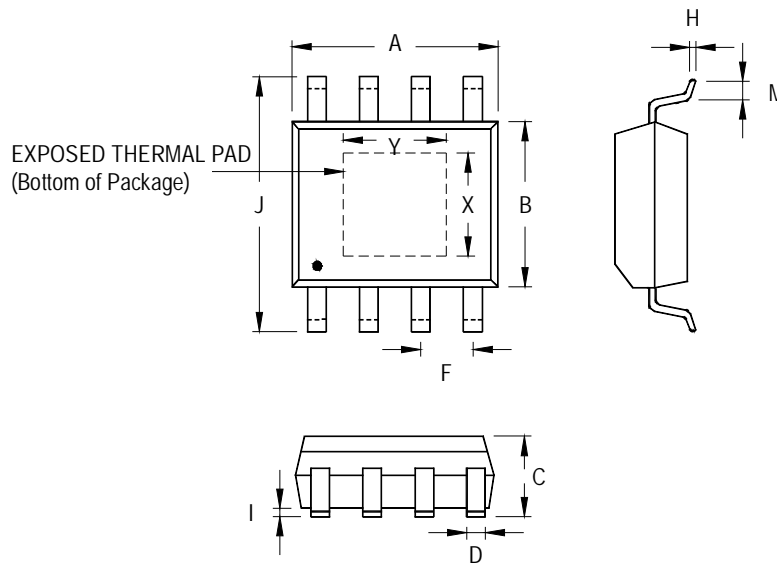
1. The ground plane should not be separated.
2. V_{CC} rail adding the LC filter is recommended.

Outline Dimension



Symbol	Dimensions In Millimeters		Dimensions In Inches	
	Min	Max	Min	Max
A	4.801	5.004	0.189	0.197
B	3.810	3.988	0.150	0.157
C	1.346	1.753	0.053	0.069
D	0.330	0.508	0.013	0.020
F	1.194	1.346	0.047	0.053
H	0.170	0.254	0.007	0.010
I	0.050	0.254	0.002	0.010
J	5.791	6.200	0.228	0.244
M	0.400	1.270	0.016	0.050

8-Lead SOP Plastic Package



Symbol	Dimensions In Millimeters		Dimensions In Inches		
	Min	Max	Min	Max	
A	4.801	5.004	0.189	0.197	
B	3.810	4.000	0.150	0.157	
C	1.346	1.753	0.053	0.069	
D	0.330	0.510	0.013	0.020	
F	1.194	1.346	0.047	0.053	
H	0.170	0.254	0.007	0.010	
I	0.000	0.152	0.000	0.006	
J	5.791	6.200	0.228	0.244	
M	0.406	1.270	0.016	0.050	
Option 1	X	2.000	2.300	0.079	0.091
	Y	2.000	2.300	0.079	0.091
Option 2	X	2.100	2.500	0.083	0.098
	Y	3.000	3.500	0.118	0.138

8-Lead SOP (Exposed Pad) Plastic Package

Richtek Technology Corporation

Headquarter
 5F, No. 20, Taiyuen Street, Chupei City
 Hsinchu, Taiwan, R.O.C.
 Tel: (8863)5526789 Fax: (8863)5526611

Richtek Technology Corporation

Taipei Office (Marketing)
 5F, No. 95, Minchiuan Road, Hsintien City
 Taipei County, Taiwan, R.O.C.
 Tel: (8862)86672399 Fax: (8862)86672377
 Email: marketing@richtek.com

Information that is provided by Richtek Technology Corporation is believed to be accurate and reliable. Richtek reserves the right to make any change in circuit design, specification or other related things if necessary without notice at any time. No third party intellectual property infringement of the applications should be guaranteed by users when integrating Richtek products into any application. No legal responsibility for any said applications is assumed by Richtek.